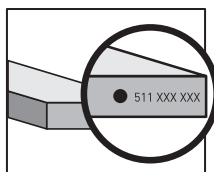


# GLUE-DOWN INSTALLATION CREATION 30 / 55 / 70

Before laying the flooring, it is a good idea to inspect it and to identify any problems with the appearance. If there are any visible defects, please notify GERFLOR and wait to hear from them before laying the flooring.



## 1. AREAS OF APPLICATION

MATERIALS	CREATION 30 PLANKS AND TILES	CREATION 55 PLANKS AND TILES	CREATION 70 PLANKS AND TILES
DESCRIPTION	2 mm including 0.30 wear layer	2.5 mm including 0.55 wear layer	2.5 mm including 0.70 wear layer
UPEC OR EUROPEAN RATING	UPEC : U2S P2 E2 C2 CEN : 23-31	UPEC Concrete Substrate: U3 P3 E2 C2 CEN: 32-41 Wood Substrate, calcium sulphate screed U3 P3 E1 C2 / 32-41	UPEC : U4 P3 E2 C2 CEN: 34-43
AREA OF USE	Please refer to the Material selection guide in GERFLOR's general catalogue	Residential premises, offices and shops corresponding to the material rating	Please refer to the Material selection guide in GERFLOR's general catalogue

LAYING CONDITIONS	Floor covering installed in temperature-regulated premises. TEMPERATURE BETWEEN 15 and 25°C.
AMBIENT USAGE TEMPERATURE	Acceptable temperature range after installation: +10°C to +30°C Installation above or below these temperatures requires an adhesive which is resistant to high temperatures to be applied over the entire surface. For installation in areas close to bay windows which are directly exposed to sunlight, we recommend installing temperature regulation (air conditioning, etc.) or preventing direct sunlight from reaching the floor covering (curtains, voiles, etc.).
IN FRONT OF OR UNDER GLAZED AREAS	For these reasons, installations near bay windows or skylights (considerable temperature variations) will require application of a two-part polyurethane (PU) adhesive (Mapei G 19 or G 20) or an acrylic adhesive such as Gerflor Clim Adhesive or Bostik Power Elastic.

SUBSTRATES ALLOWED	
CONCRETE FLOOR, PAINTED CONCRETE, LEVELLING CONCRETE, TOPPING, LIQUID CEMENT SCREEDS	Closely follow the instructions for preparing the substrate before gluing the planks or tiles. See section 2.1
PVC TILES AND COMPACT ROLLS	If the substrate requirements are met and more than 90% of the room's surface area is in good condition, remove the defective tiles, fill the gaps with levelling compound and lay the CREATION planks/tiles after the substrate has dried. Otherwise, the entire flooring will have to be taken up and the substrate prepared from scratch.
PVC ROLLS OR TILES WITH BACKING FOAM	Not recommended as there is a high risk of indentation.
LAYING ON WOODEN FLOORS OR WOOD-BASED PANELS: IN GENERAL, AS WOODEN FLOORS FLEX WHEN WALKED UPON AND ARE SUBJECT TO SIGNIFICANT EXPANSION, WE DO NOT RECOMMEND INSTALLING TILES OR PLANKS	THE FOLLOWING WOODEN SUBSTRATES ARE ALLOWED: Parquet nailed onto battens spaced no more than 0.30 m apart, with ventilation of the inside facing, lining boards (19 mm) fixed to nailed and ventilated parquet.  THE FOLLOWING WOODEN SUBSTRATES ARE NOT ALLOWED: Floorboards on joists, floating parquet, glued parquet, floating particle boards, OSB boards.
TILES	The floor surface must not have any uneven areas, and the joints must not be recessed, otherwise fill them with a levelling compound to eliminate any irregularities.
UNDERFLOOR HEATING	
UNDERFLOOR HEATING WITH CIRCULATING HOT WATER AT	Possible
RADIANT ELECTRIC UNDERFLOOR HEATING THE REGULATIONS REQUIRE $\leq 0,15 \text{ M}^2 \times \text{° KELVIN} / \text{WATT}$	Possible
LOW TEMPERATURE WATER REVERSIBLE UNDERFLOOR HEATING	Possible
SUBSTRATES NOT PERMITTED	
LAMINATE	Prohibited; remove then prepare the substrate again if necessary
UNDERLAYER	Any soundproof or other existing layers must be removed
TEXTILE FLOORING (CARPET)	Prohibited; remove then prepare the substrate again
LAYING ON VINYL ASBESTOS TILES	Not allowed
<b>Please contact us if the substrate is not in this list.</b>	

### 2. SUBSTRATES

#### ■ 2.1. PREPARATORY WORK ON CONCRETE SUBSTRATES

##### **Preparation:**

The surfaces should be prepared with care so as to remove any soiling, laitance, treatment products or any other foreign body.

If the substrate does not meet the requirements, a patching compound must be used:

- With a substrate moisture content of < 4.5%, the grouting must meet class P3 specifications
- With a substrate moisture content of between 4.5% and 7%, levelling compounds or special primers must be used (Contact the levelling compound manufacturers)
- With a substrate moisture content of > 7%, we recommend applying a rising damp treatment before applying a patching compound.

**Moisture content accepted on calcium sulphate liquid screed: <1%**

##### **Localised levelling:**

A resin mortar (bearing the NF mark for concrete repair products) may be used in isolated areas which do not meet the requirements in terms of level and surface finish.

##### **Crack treatment:**

Treat cracks prior to applying a patching compound (see support preparation information)

##### **Joint treatment:**

**Contraction joints:** Treat joints before applying a patching compound

**Construction joints:** Similar to cracks, same treatment.

**Expansion joints:** Joints without a difference in levels: The RM 20-5 profile with PVC strips supplied by COUVRANEUF covers the joint.

Joints with overlay profile: The profile is fitted over the flooring and is secured on one side only.

### 3. LAYING CONDITIONS

To lay CREATION tiles and planks, the site laying conditions must be respected as follows: The ideal ambient temperature for installation must be between 15 and 26°C for 24 hours before, and 24 hours after, laying.

The planks or tiles must be stored in the same conditions as the installation conditions to avoid variations in size.

If the tiles or planks have been stored in temperatures of above 12°C, they must be unloaded from the pallet and stored without being piled up (stacks of less than 5 boxes).

If the tiles or planks have been stored in temperatures of below 12°C, the boxes must be opened and the tiles or planks spread out in the area where they are due to be installed. This will help LVT tiles or planks to acclimatise more quickly.

#### ■ 3.1 - LAYING ON UNDERFLOOR HEATING

The owner of the heating system must have started up and turned off the underfloor heating in compliance with the installation provisions described in article 6.2.4 of NF P 62-203 (DTU 53.2):

Natural drying of the substrate must be completed by gradually starting the heating system prior to laying the floor covering in compliance with system provisions.

Note that the heating must be turned off 48 hours before application of the floor preparation compound.

#### ■ 3.2 - LAYING IN PREMISES WITH SKY LIGHTS OR LARGE BAY WINDOWS

In buildings with bay windows, large windows or sky lights, temperatures at floor level can reach up to 40-50°C when exposed to sunlight.

It will be necessary, on the one hand, to use adhesives which are resistant to high temperatures, and on the other, to install temperature regulation (air conditioning, etc.) and/or to prevent direct sunlight from reaching the floor covering (curtains, voiles, etc.).

We advise you to contact your adhesive manufacturer to enquire about the type of adhesive to use.

To avoid major colour differences, mix the planks from several different boxes from the same series.

## GLUE-DOWN INSTALLATION CREATION 30 / 55 / 70

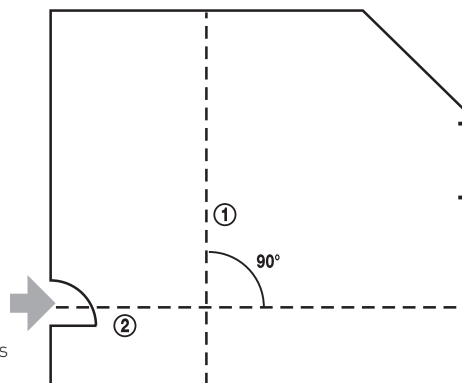
### 4. LAYING THE COVERING

The tiles or planks must be removed from their box at least 24 hours prior to installation, and stored flat on an even surface in the room in which they are going to be laid.

**IMPORTANT:**

Direction of installation: see general table (section 2).

1. Axis parallel to the main entrance,
2. Perpendicular to this axis, with tile cuts the same on each side.



### 5. GLUING

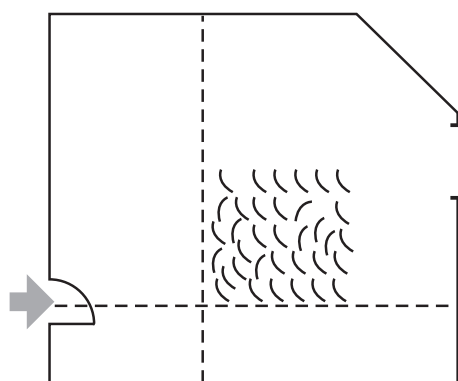
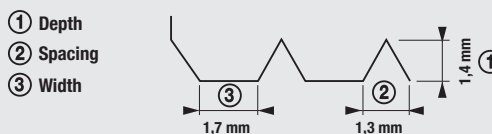
Application is by simple gluing with a dispersion adhesive in aqueous phase applied with a finely toothed spatula.

Coverage: approx. 300 / 350 g/m<sup>2</sup>, A2 type spatula (TKB specifications).  
Change the spatula as often as necessary to keep to this coverage.

**CAUTION:**

For rooms with bay windows, large windows or sky lights, we recommend contacting your adhesive manufacture to enquire about the type of adhesive to use.

**A2 type spatula**

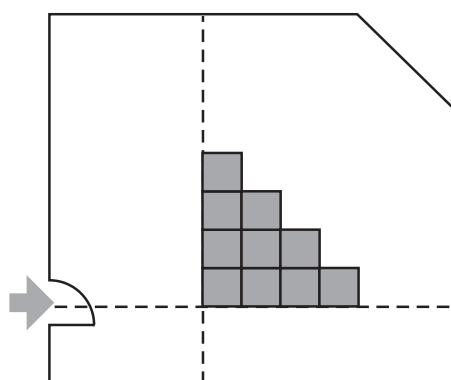


**CAUTION!**

- Carefully follow the instructions of the adhesive supplier.
  - Carefully respect the bonding time which depends on the temperature, the atmospheric conditions of the room, the substrate's porosity and the coverage of the adhesive used.
  - Insufficient bonding time: blistering.
  - Bonding time exceeded: poor transfer of adhesive to the material.
- Apply adhesive to an area no larger than can be covered within the glue's working time.  
Remove any surplus glue spots while work is in progress.

#### GLUING THE SUBSTRATE AND APPLYING THE TILES

##### A - For square formats (MINERAL)



- Lay down the tiles in a pyramid pattern along the guidelines on the floor.
- Check the tile joints for evenness.
- 90° lays (see TILE LAYING section).

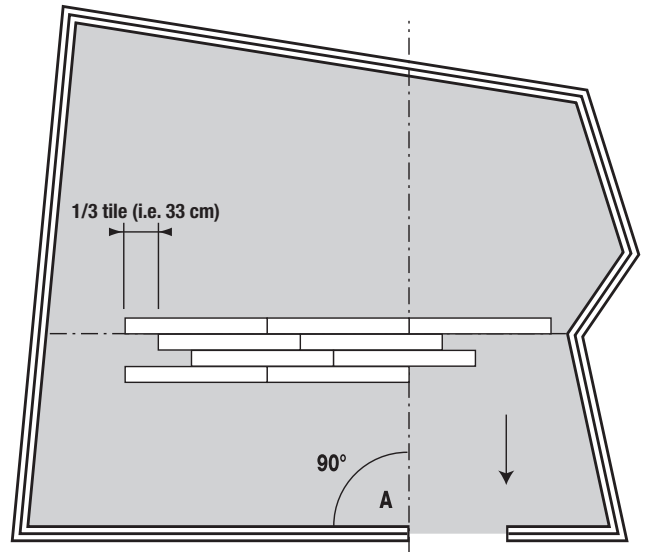
# FLOORS IN BUILDINGS

## GLUE-DOWN INSTALLATION CREATION 30 / 55 / 70

### B - For Wood plank formats

#### Laying principle

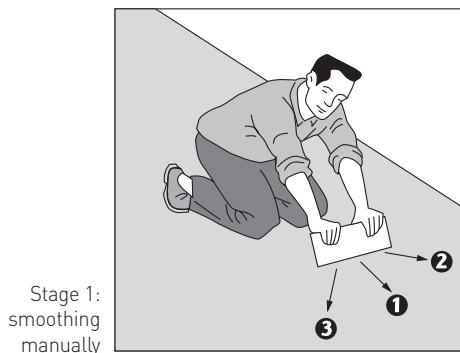
- Divide the floor area into two parts with one guideline at right angles to the room's main doorway.
- Position the first plank and then continue, following the guidelines (see diagram).
- The first tile in the next strip should be offset sideways by one third of its length to ensure that the joints repeat themselves every three strips. This solution is better than offsetting by half a tile. Repeating the joints every second strip is less aesthetically pleasing.
- Alternatives include herringbone patterns, geometric layouts, etc.
- Press down carefully to provide maximum adhesion.



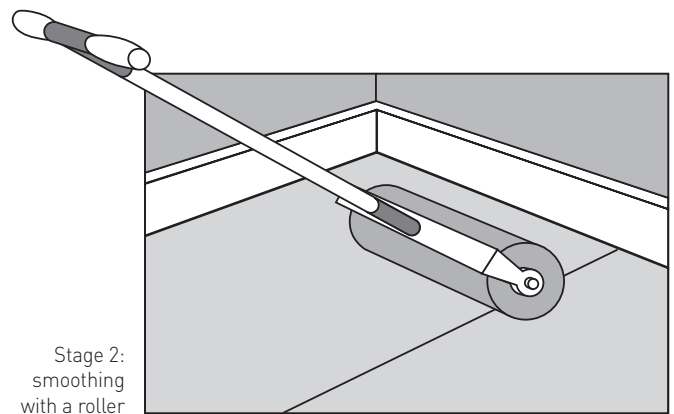
## 6. SMOOTHING

Smoothing must be done in two stages:

- Manually, using a smoothing press;
- Rolling a smoothing roller over the entire surface once the installation is complete.



Stage 1:  
smoothing  
manually



Stage 2:  
smoothing  
with a roller

## 7. FINISHING

See "FINISHING" section.

## 8. PUTTING INTO SERVICE - CIRCULATION

Wait 48 hours before allowing normal walking on the installation.

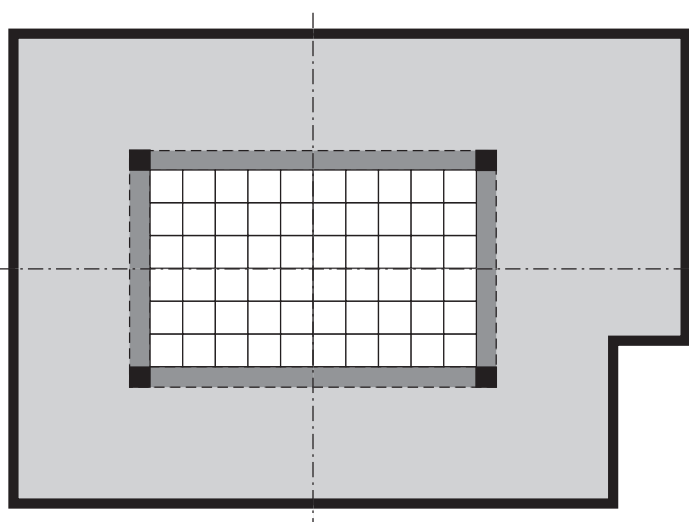
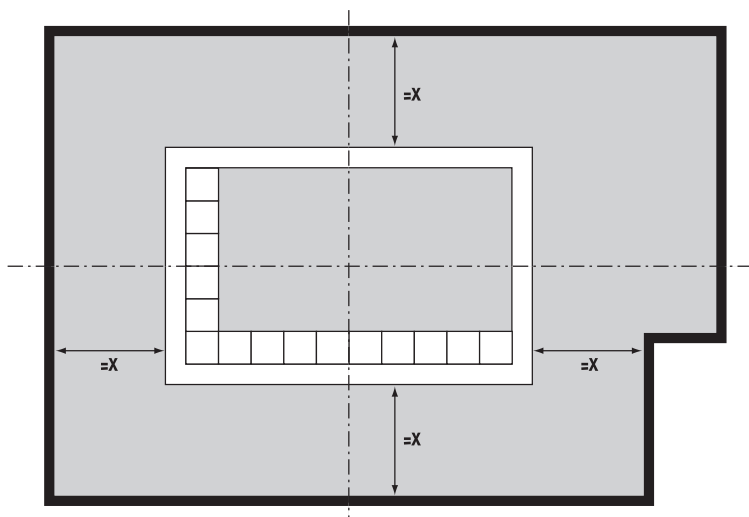
- Do not install fittings or furniture until 72 hours after laying.
- Do not allow rubber feet to be used on furniture.

In the case of underfloor heating, wait 7 days before turning the heating back on.

## GLUE-DOWN INSTALLATION CREATION 30 / 55 / 70

## 9. PARTICULAR CASE OF DECORATIVE LAYOUTS WITH EDGINGS

- Position the decorative element in a balanced manner within the room.
- For aesthetic and practical reasons, ensure that the decorative central part is sized in multiples of the tiles being installed.
- Mark out the guidelines at right angles.



- Start by filling in the central part, following the marking-out guidelines,
- Position the corner pieces.

- Position the edging bands to match the patterns in the corners,
- Finish off by laying the surrounding floor covering.

